

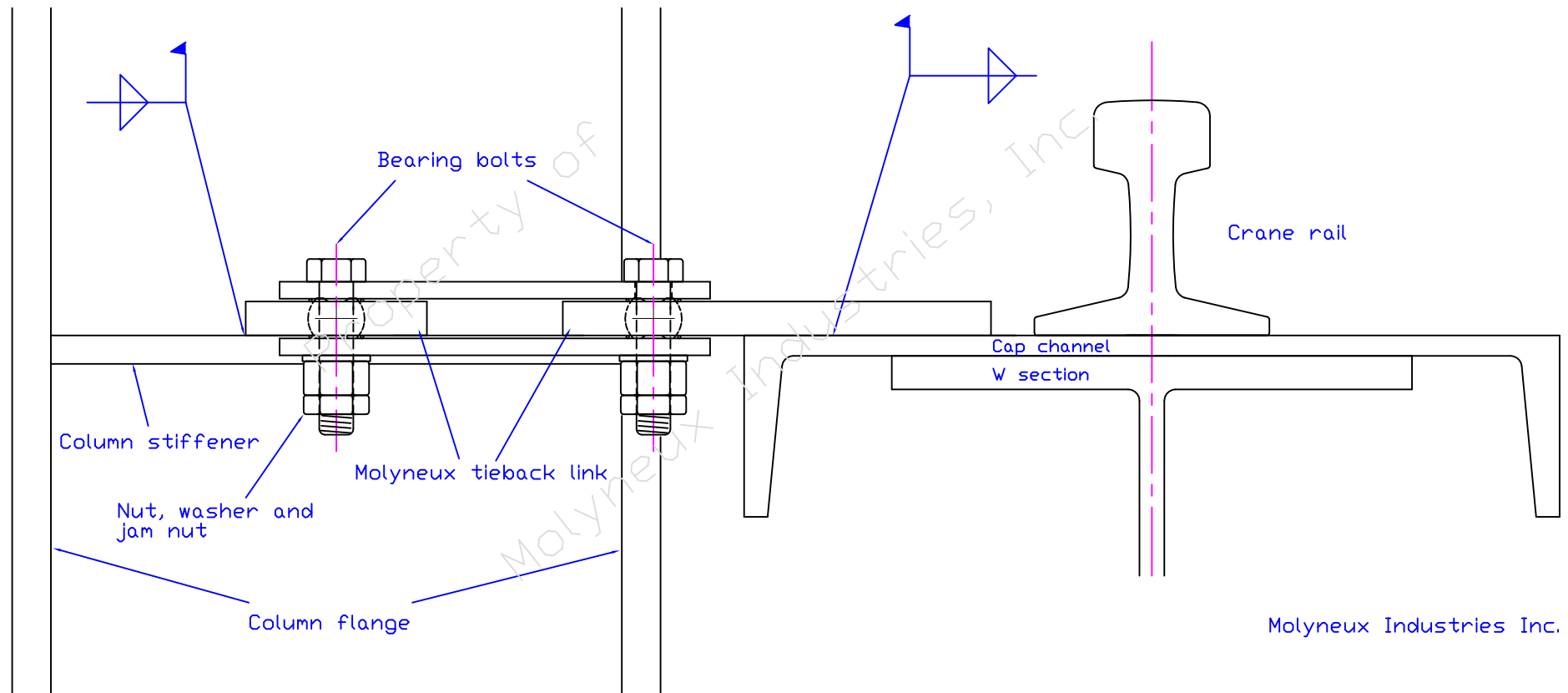
Molyneux Industries Inc., Coraopolis, PA 15108.

This drawings is the property of Molyneux Industries, Inc.
It may not be copied or reproduced without the written
consent of Molyneux Industries, Inc.

SIDE MOUNTED

Welded & Bolted solution

(welded to column stiffener & welded to girder)



Molyneux Industries Inc.